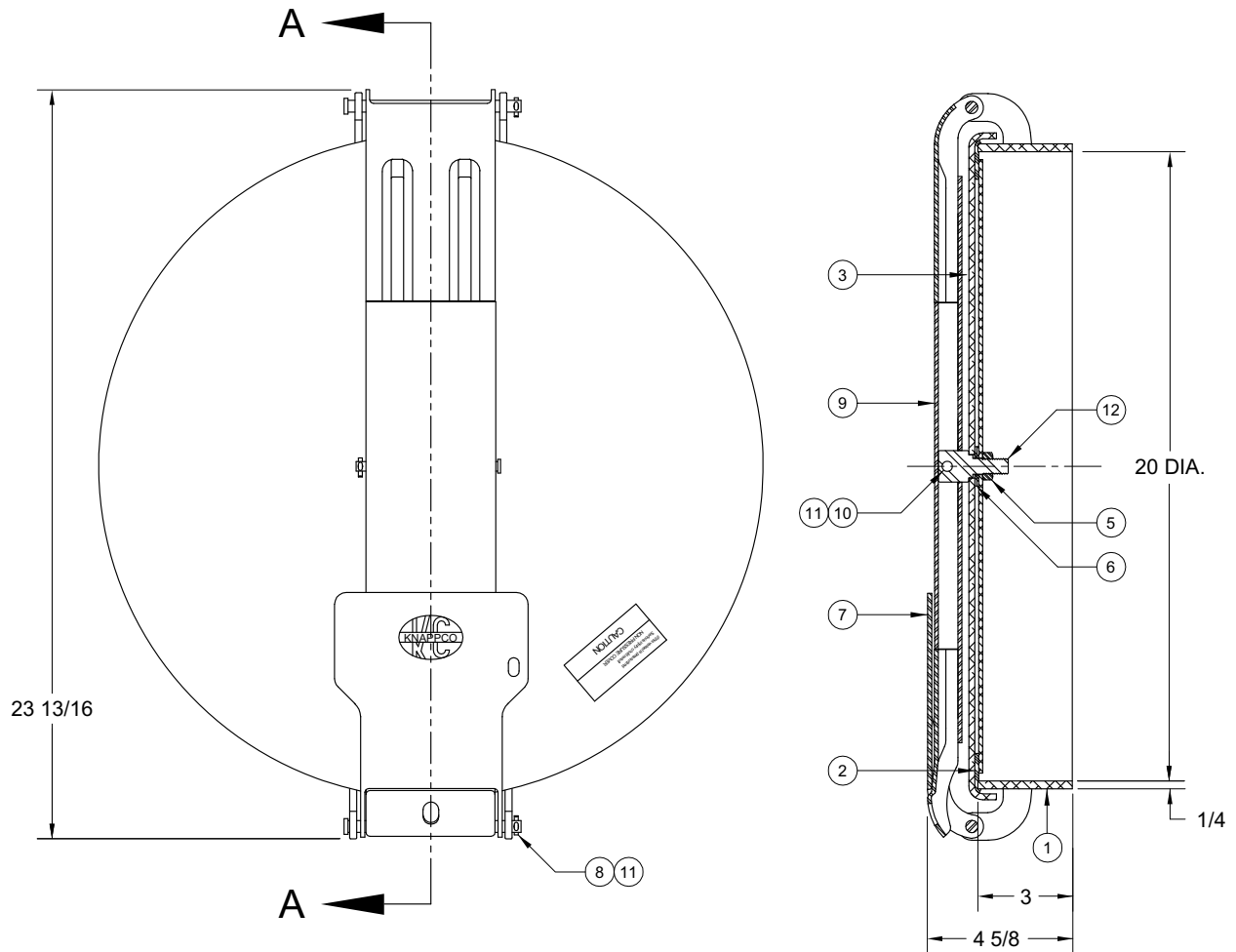




AN **OPW** FLUID TRANSFER GROUP COMPANY

LE2210 20" Manhole Assembly



SECTION A-A

| ITEM | PART NUMBER | DESCRIPTION | QTY. |
|------|-------------|---------------------------|------|
| 1 | 3353 | WELD RING ASSY (ALUM.) | 1 |
| 2 | 3882 | GASKET (BUNA) | 1 |
| 3 | 1462 | COVER WELDMENT (ALUM.) | 1 |
| 4 | 3883 | GASKET RETAINER (ALUM.) | 1 |
| 5 | 3879 | HEX NUT (S.S.) | 1 |
| 6 | 3944 | SPACER | 2 |
| 7 | 1126 | LATCH (PLATED) | 1 |
| 8 | 2106 | CLEVIS PIN (PLATED) | 2 |
| 9 | 2780 | STRONGBACK ASSY. (PLATED) | 1 |
| 10 | 2658 | CLEVIS PIN (PLATED) | 1 |

| ITEM | PART NUMBER | DESCRIPTION | QTY. |
|------|-------------|---------------------|------|
| 11 | 1045 | COTTER PIN (PLATED) | 3 |
| 12 | 3877 | CENTER POST (ALUM.) | 1 |

ALTERNATE SEALING MEDIA

| PART NUMBER | DESCRIPTION |
|-------------|--------------------------|
| 1432 | GASKET (WHITE NEOPRENE) |
| 2726 | GASKET (HIGH TEMP.) |
| 3622 | GASKET (EPDM) |
| 2551 / 1026 | GASKET (TEFLON ENVELOPE) |
| 2573 | GASKET (VITON) |



PHONE: (816) 741-6600 • (888) 526-5657 • Fax: (816) 741-1061
 4304 Mattox Road • Kansas City, MO 64150 • www.knappco.com