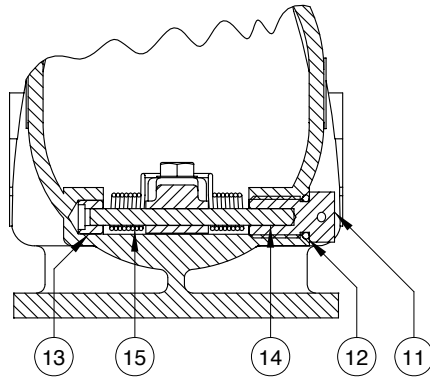


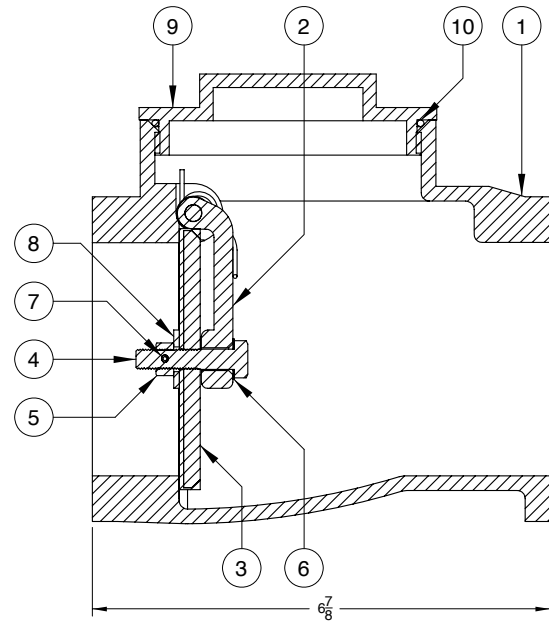
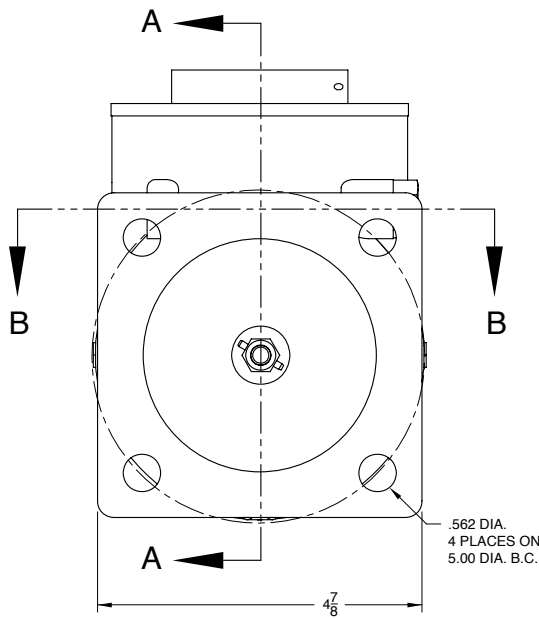


AN OPW® FLUID TRANSFER GROUP COMPANY

VA1015FG 3" Check Valve



SECTION B-B



SECTION A-A

ITEM	PART NUMBER	DESCRIPTION	QTY.
1	9572	BODY	1
2	9945	POPPET ARM ¹	1
3	9781	POPPET (BRONZE / SILICONE) ¹	1
4	9894	SCREW ¹	1
5	9895	HEX NUT ¹	1
6	4714	WASHER (BELLEVILLE) ¹	1
7	9896	SPRING PIN ¹	1
8	1159	WASHER (FLAT) ¹	1
9	10096	CAP	1
10	9897	CAP O-RING (VITON)	1

ITEM	PART NUMBER	DESCRIPTION	QTY.
11	10077	GLAND NUT	1
12	9902	GLAND O-RING (VITON)	1
13	9578	BUSHING	1
14	9574	PIVOT ROD	1
15	9944	SPRING	1

REPAIR KITS		
PART NUMBER	DESCRIPTION	QTY.
9946	POPPET ASSY (BRONZE / SILICONE)	N/A



PHONE: (816) 741-6600 • (888) 526-5657 • Fax: (816) 741-1061
 4304 Mattox Road • Kansas City, MO 64150 • www.knappco.com