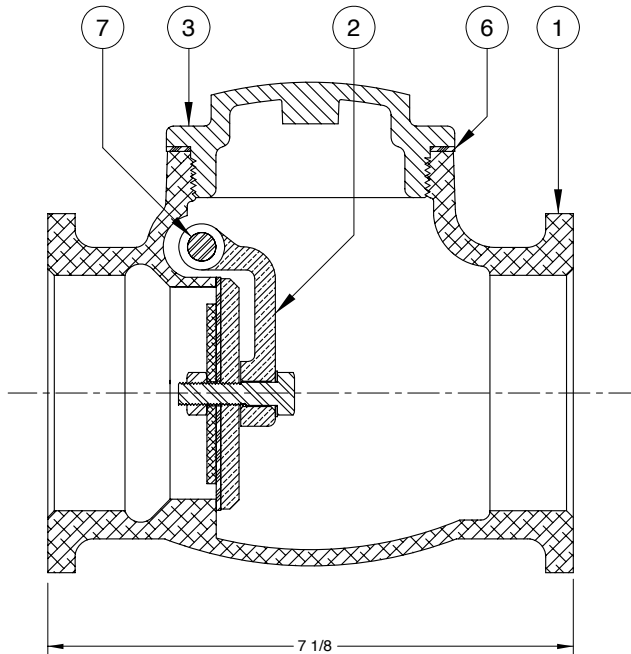
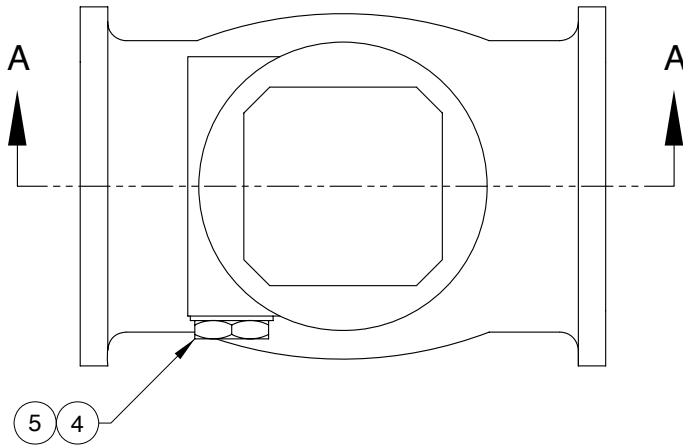


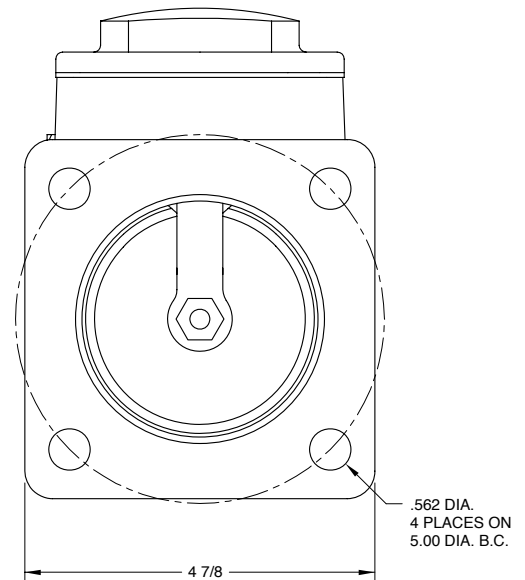


AN **OPW** FLUID TRANSFER GROUP COMPANY

## VA0009-VA00012 3" Check Valve (Flanged)



SECTION A-A



ITEM	PART NUMBER	DESCRIPTION	QTY.
1	4379	BODY (ALUMINUM FLANGED)	1
2	SEE CHART	POPPET ASSY (BRASS / BUNA)	1
3	1727 <sup>1</sup>	CAP (CALVANIZED STEEL)	1
4	1729B <sup>2</sup>	SHAFT NUT (BRASS, PLATED)	1
5	1730	SHAFT NUT GASKET (HI-TEMP.)	1
6	1731	CAP GASKET (HI-TEMP.)	1
7	1734	SHAFT (S.S.)	1

SEALING MEDIA / MATERIAL CHART		
ASSY P/N	POPPET P/N	DESCRIPTION
VA0009	1722A	POPPET ASSY (BRASS / BUNA)
VA0010	1739A	POPPET ASSY (S.S. / BUNA)
VA0011	1724A	POPPET ASSY (BRASS / VITON)
VA0012	1740A	POPPET ASSY (S.S. / VITON)

1 - ALSO AVAILABLE IN ALUM. (P/N 1733) 2 - ALSO AVAILABLE IN ALUM. (P/N 1735)



PHONE: (816) 741-6600 • (888) 526-5657 • Fax: (816) 741-1061  
 4304 Mattox Road • Kansas City, MO 64150 • [www.knappco.com](http://www.knappco.com)