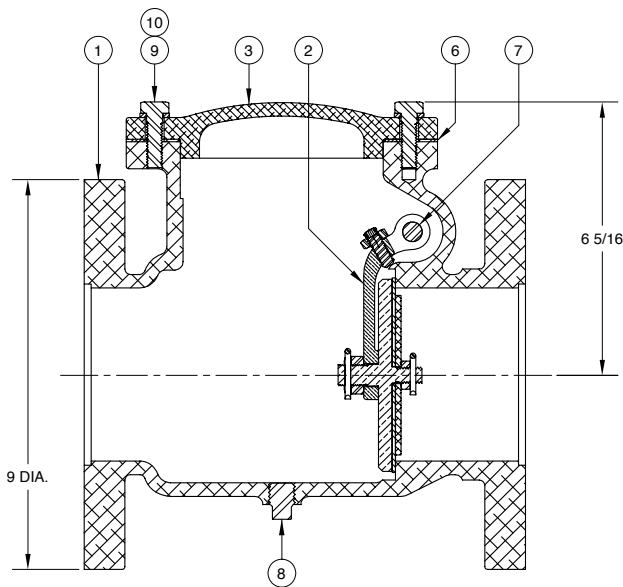
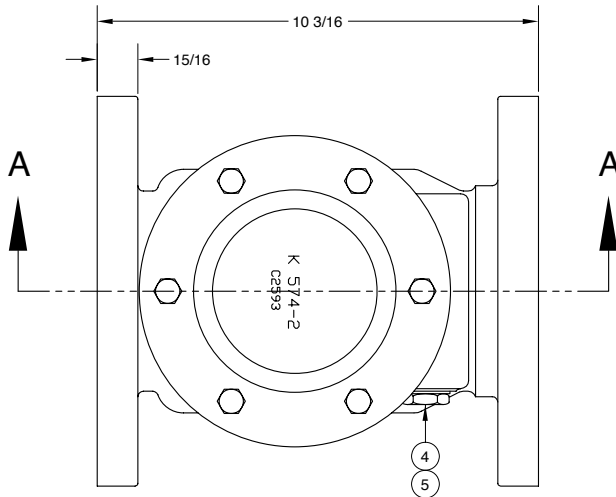


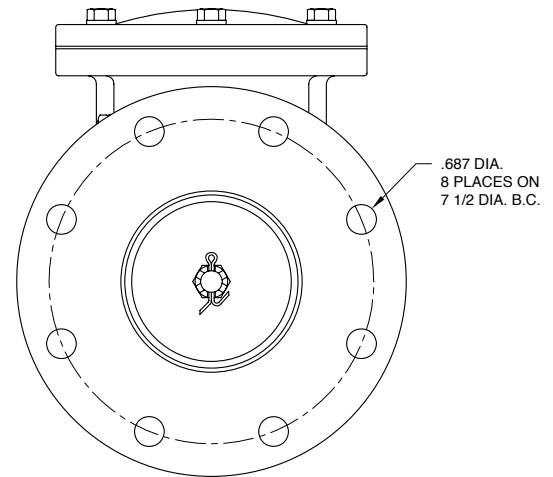


AN **OPW** FLUID TRANSFER GROUP COMPANY

VA00025-VA00028 4" Check Valve (Threaded)



SECTION A-A



ITEM	PART NUMBER	DESCRIPTION	QTY.
1	1742	BODY (ALUMINUM FLANGED)	1
2	SEE CHART	POPPET ASSY (BRASS / BUNA)	1
3	1744	CAP (ALUMINUM)	1
4	3973 ¹	SHAFT NUT (BRASS, PLATED)	1
5	1730	SHAFT NUT GASKET (HI-TEMP.)	1
6	1752	CAP GASKET (CORK BUNA)	1
7	2817	SHAFT (S.S.)	1
8	1758 ²	PLUG (CAST IRON)	1
9	1757	CAP SCREW (PLATED)	6

ITEM	PART NUMBER	DESCRIPTION	QTY.
10	1760	LOCK WASHER (PLATED)	6

SEALING MEDIA / MATERIAL CHART		
ASSY P/N	POPPET P/N	DESCRIPTION
VA0025	1859	POPPET ASSY (BRASS / BUNA)
VA0026	2799	POPPET ASSY (S.S. / BUNA)
VA0027	1860	POPPET ASSY (BRASS / VITON)
VA0028	2800	POPPET ASSY (S.S. / VITON)

1 - ALSO AVAILABLE IN ALUM. (P/N 2518) 2 - ALSO AVAILABLE IN S.S. (P/N 2822)



PHONE: (816) 741-6600 • (888) 526-5657 • Fax: (816) 741-1061
4304 Mattox Road • Kansas City, MO 64150 • www.knapppco.com