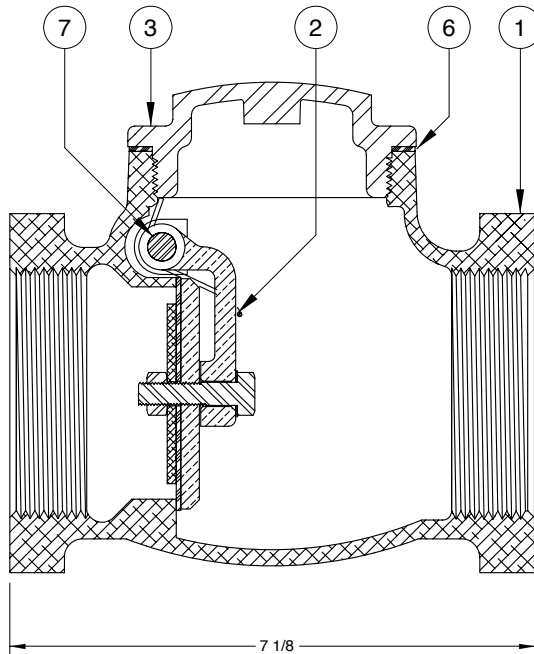
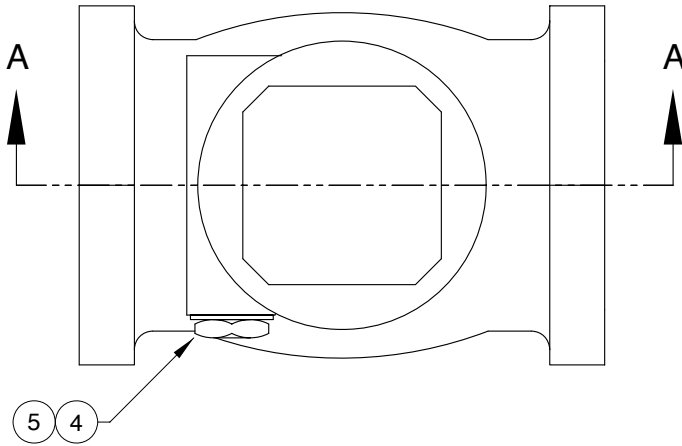


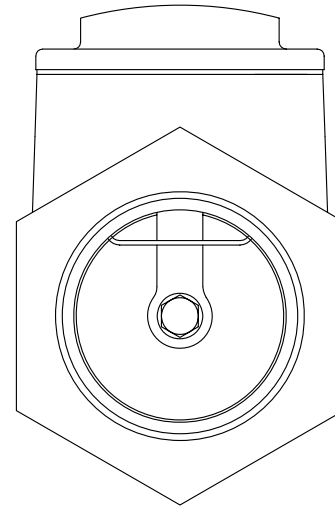


AN **OPW** FLUID TRANSFER GROUP COMPANY

VA00021-VA00024 3" Spring Loaded Check Valve (Threaded)



SECTION A-A



ITEM	PART NUMBER	DESCRIPTION	QTY.
1	1726	BODY (ALUMINUM THREADED)	1
2	SEE CHART	POPPET ASSY (BRASS / BUNA)	1
3	1727 ¹	CAP (CALVANIZED STEEL)	1
4	1729B ²	SHAFT NUT (BRASS, PLATED)	1
5	1730	SHAFT NUT GASKET (HI-TEMP.)	1
6	1731	CAP GASKET (HI-TEMP.)	1
7	1734	SHAFT (S.S.)	1

SEALING MEDIA / MATERIAL CHART		
ASSY P/N	POPPET P/N	DESCRIPTION
VA0021	1722A-S/L	POPPET ASSY (BRASS / BUNA)
VA0022	1739A-S/L	POPPET ASSY (S.S. / BUNA)
VA0023	1724A-S/L	POPPET ASSY (BRASS / VITON)
VA0024	1740A-S/L	POPPET ASSY (S.S. / VITON)

1 - ALSO AVAILABLE IN ALUM. (P/N 1733) 2 - ALSO AVAILABLE IN ALUM. (P/N 1735)



PHONE: (816) 741-6600 • (888) 526-5657 • Fax: (816) 741-1061
 4304 Mattox Road • Kansas City, MO 64150 • www.knapppco.com