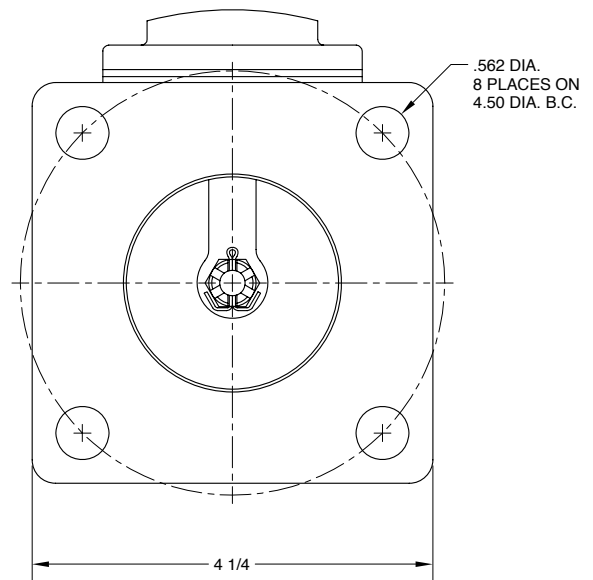
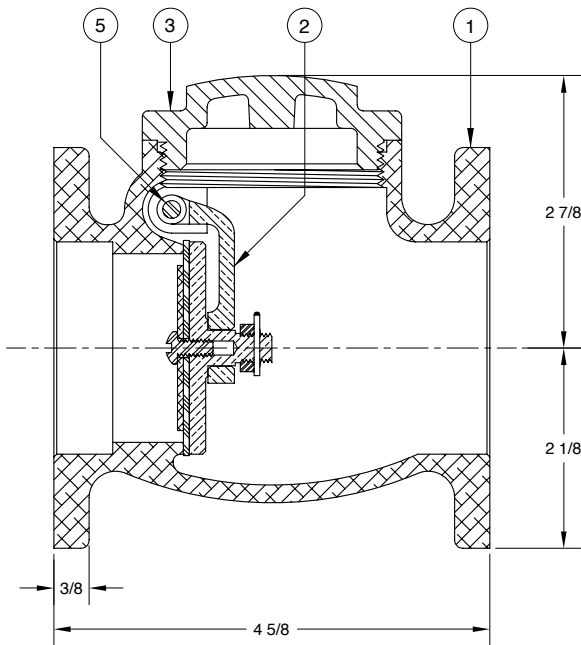
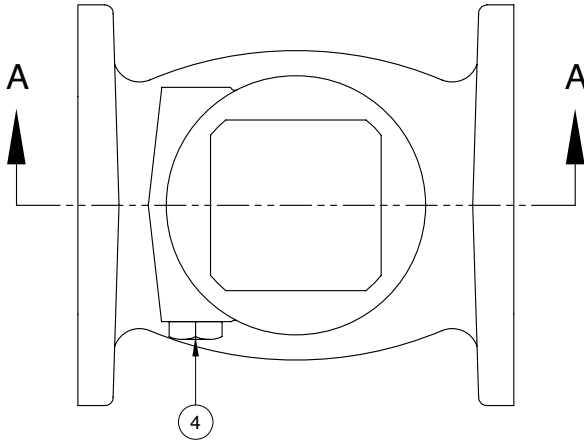




AN **OPW** FLUID TRANSFER GROUP COMPANY

VA0001-VA0004 2" Check Valve (Flanged)



SECTION A-A

ITEM	PART NUMBER	DESCRIPTION	QTY.
1	1698	BODY (ALUMINUM FLANGED)	1
2	SEE CHART	POPPET ASSY (BRASS / BUNA)	1
3	1727 ¹	CAP (CAST IRON)	1
4	3958 ²	SHAFT NUT (BRASS, PLATED)	1
5	1713	SHAFT (S.S.)	1

SEALING MEDIA / MATERIAL CHART		
ASSY P/N	POPPET P/N	DESCRIPTION
VA0001	1849	POPPET ASSY (BRASS / BUNA)
VA0002	1851	POPPET ASSY (S.S. / BUNA)
VA0003	1850	POPPET ASSY (BRASS / VITON)
VA0004	1852	POPPET ASSY (S.S. / VITON)

1 - ALSO AVAILABLE IN ALUM. (P/N 1710) 2 - ALSO AVAILABLE IN ALUM. (P/N 1715)



PHONE: (816) 741-6600 • (888) 526-5657 • Fax: (816) 741-1061
 4304 Mattox Road • Kansas City, MO 64150 • www.knappco.com