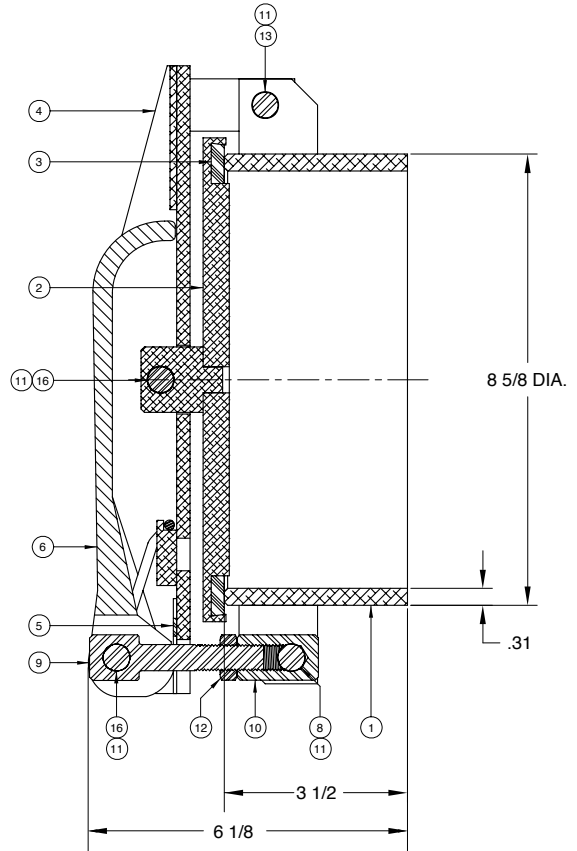
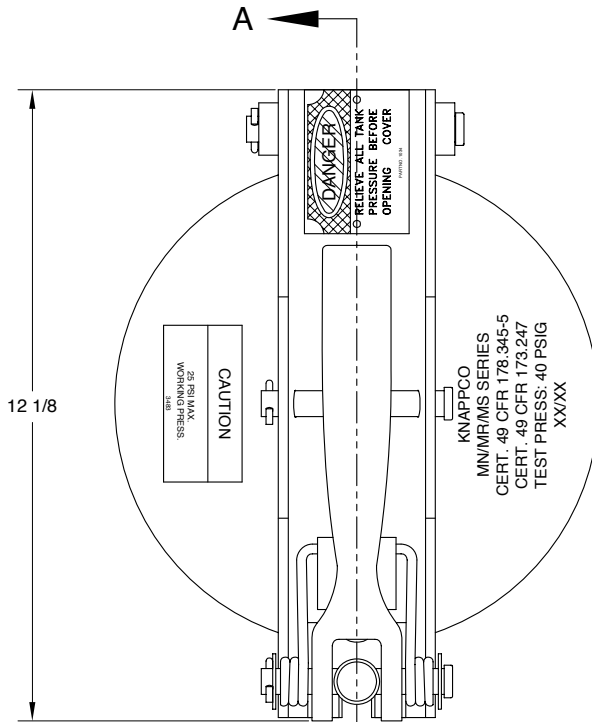


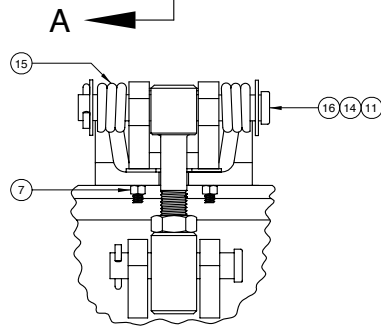


AN OPW® FLUID TRANSFER GROUP COMPANY

# MN1110 8" Fill Cover Assembly



SECTION A-A



VIEW B-B

ITEM	PART NUMBER	DESCRIPTION	QTY.
1	4675	WELD RING ASSY. (ALUM.)	1
2	4676	COVER ASSY. (ALUM.)	1
3	4682	GASKET (BUNA)	1
4	4677	STRONGBACK ASSY. (ALUM.)	1
5	2458	WEAR PLATE (S.S.)	1
6	4871	CAM LAVER (PLATED)	1
7	4486	HEX LOCK NUT (S.S.)	2
8	5677	CLEVIS PIN (PLATED)	1
9	3439	STUD (PLATED)	1
10	1012	CONNECTOR (PLATED)	1

ITEM	PART NUMBER	DESCRIPTION	QTY.
11	1045	COTTER PIN (PLATED)	4
12	1016	HEX JAM NUT (PLATED)	1
13	4679	CLEVIS PIN (PLATED)	1
14	1043	WASHER (PLATED)	2
15	1048	SAFETY CATCH (PLATED)	1
16	4680	CLEVIS PIN (PLATED)	2

ALTERNATE SEALING MEDIA

PART NUMBER	DESCRIPTION
4928	GASKET (VITON)



PHONE: (816) 741-6600 • (888) 526-5657 • Fax: (816) 741-1061  
 4304 Mattox Road • Kansas City, MO 64150 • [www.knappco.com](http://www.knappco.com)