

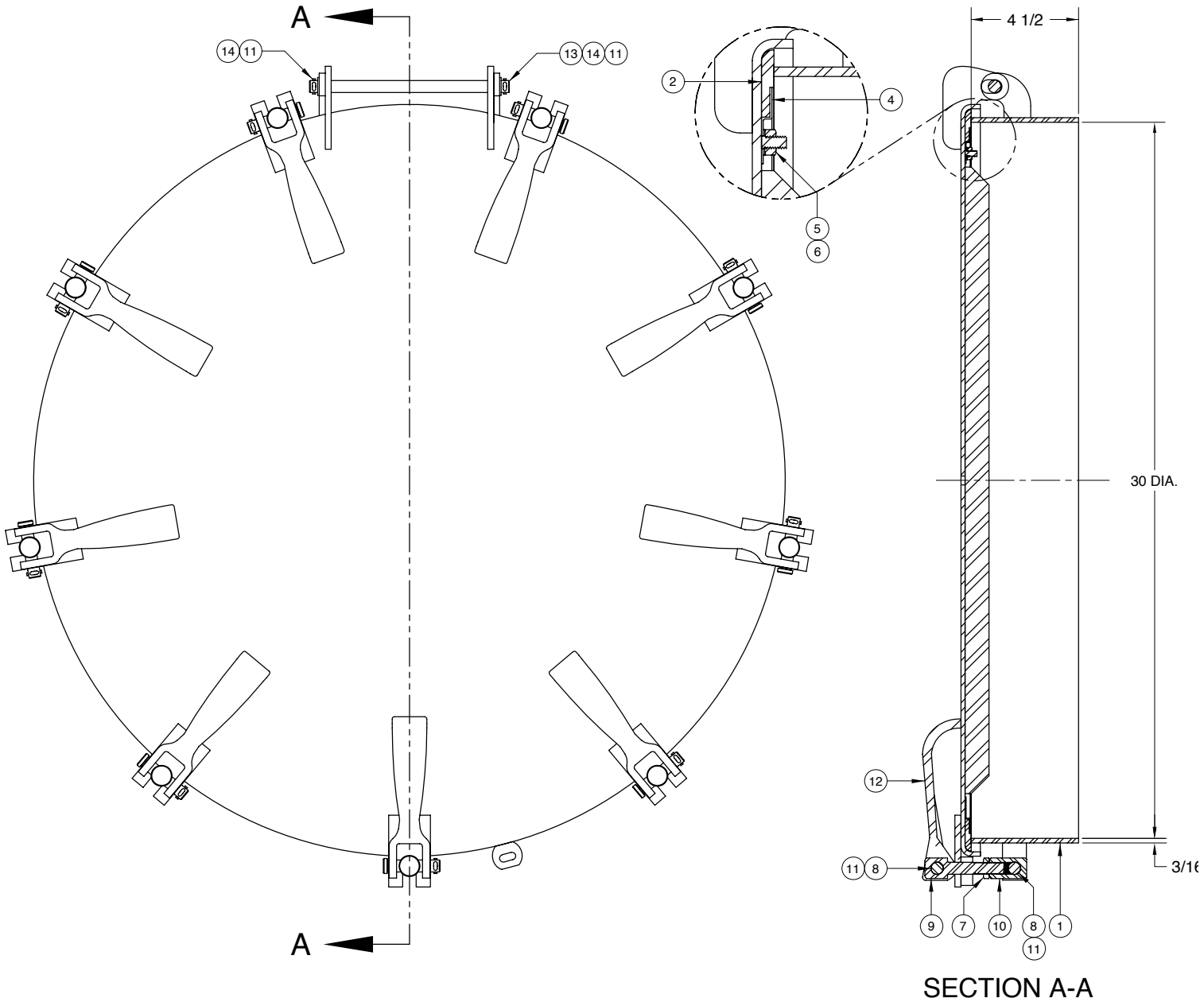


AN **OPW** FLUID TRANSFER GROUP COMPANY

LT3510 30" Manhole Assembly

Rev. 0, January 2003

LT3510 30" MANHOLE ASSEMBLY



ITEM	PART NUMBER	DESCRIPTION	QTY.	ITEM	PART NUMBER	DESCRIPTION	QTY.
------	-------------	-------------	------	------	-------------	-------------	------



PHONE: (816) 741-6600 • (888) 526-5657 • Fax: (816) 741-1061
 4304 Mattox Road • Kansas City, MO 64150 • www.knappco.com