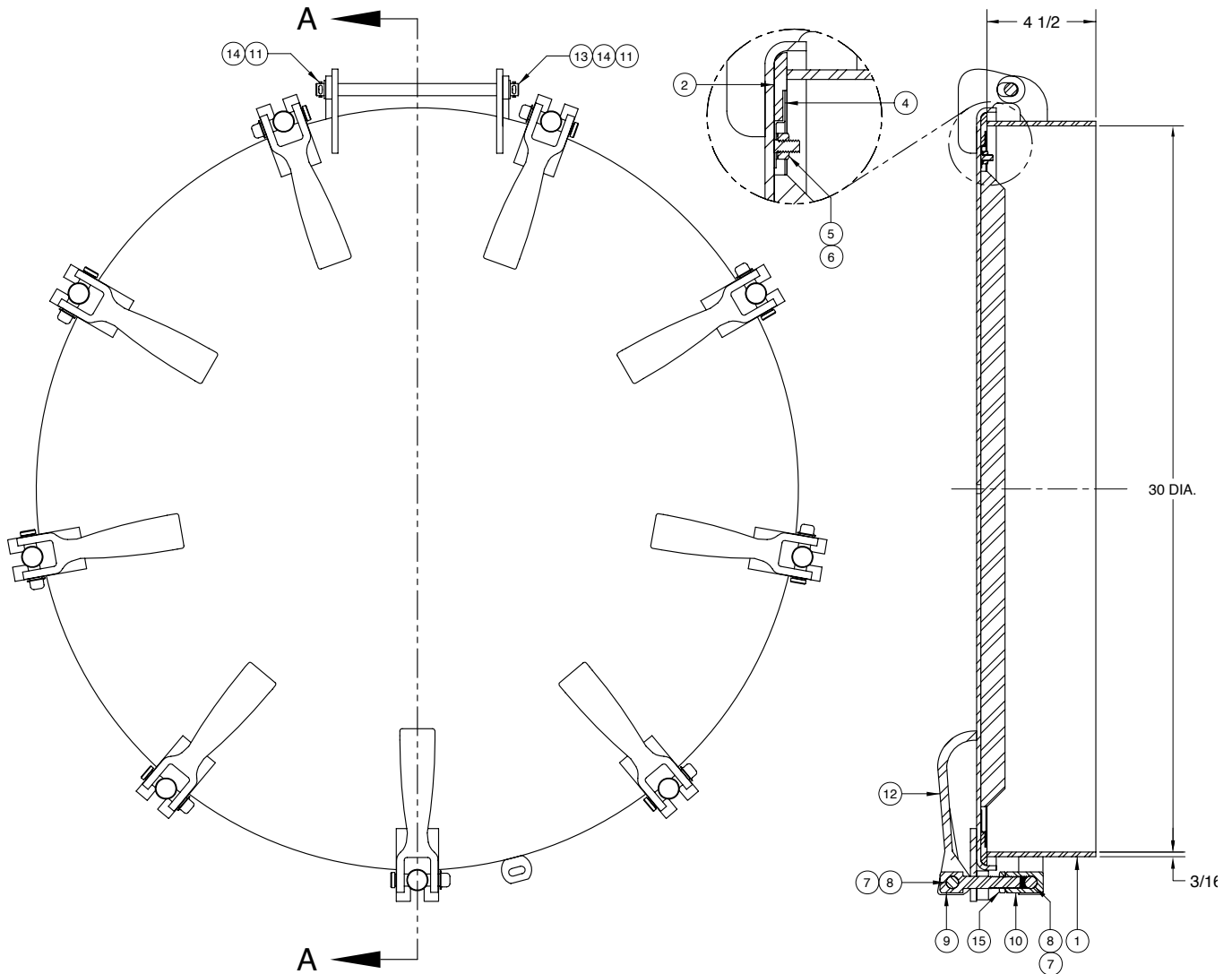




AN **OPW** FLUID TRANSFER GROUP COMPANY

LT1110 30" Manhole Assembly



SECTION A-A

ITEM	PART NUMBER	DESCRIPTION	QTY.
1	3964	WELD RING ASSY (STEEL)	1
2	2549	GASKET (BUNA)	1
3	3822	COVER WELDMENT (STEEL)	1
4	3435	GASKET RETAINER (STEEL)	1
5	1059	HEX NUT (PLATED)	9
6	1036	WASHER (PLATED)	9
7	1020	PAL NUT (PLATED)	18
8	3952	CLEVIS PIN (PLATED)	18
9	3950	STUD (PLATED)	9
10	1012	CONNECTOR (PLATED)	9

ITEM	PART NUMBER	DESCRIPTION	QTY.
11	1045	COTTER PIN (PLATED)	2
12	1013	CAM LEVER (STEEL)	4
13	3665	HINGE PIN (PLATED)	1
14	1043	WASHER (PLATED)	2
15	1016	JAM NUT (PLATED)	9

ALTERNATE SEALING MEDIA / CAM ASSEMBLIES

PART NUMBER	DESCRIPTION
4591	GASKET (WHITE NEOPRENE)



PHONE: (816) 741-6600 • (888) 526-5657 • Fax: (816) 741-1061
 4304 Mattox Road • Kansas City, MO 64150 • www.knappco.com