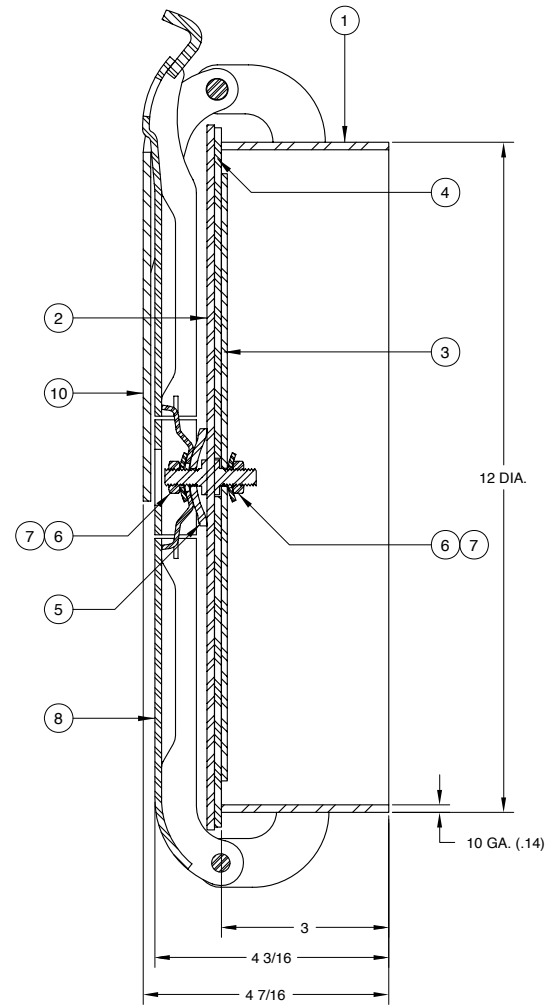
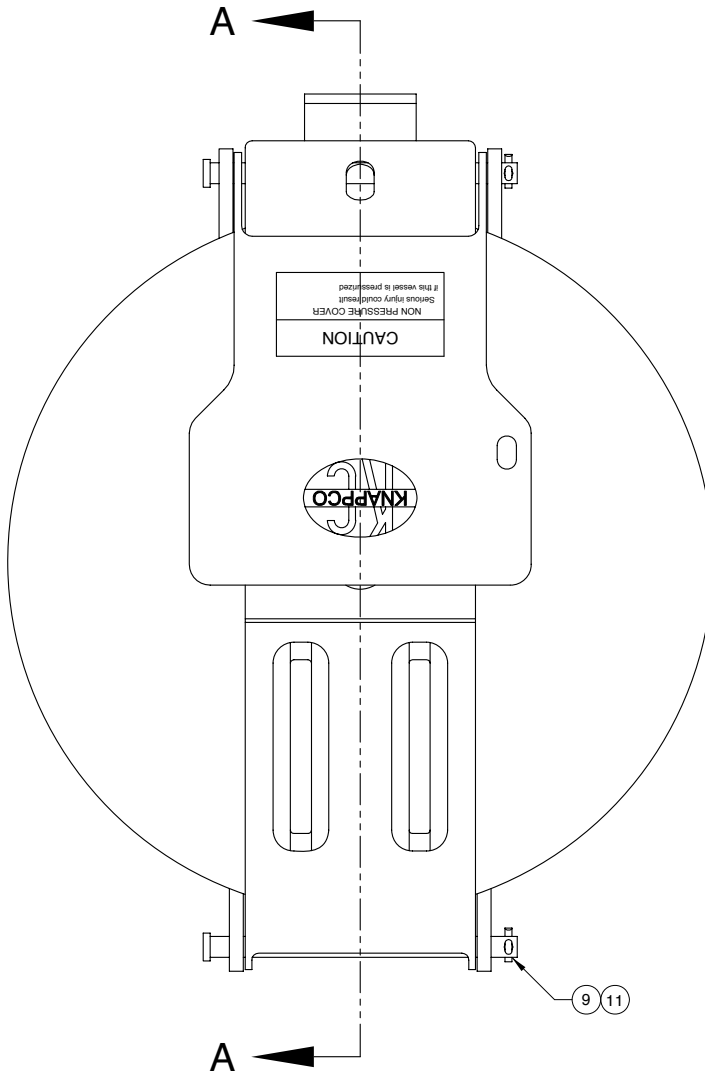




AN OPW® FLUID TRANSFER GROUP COMPANY

LS3310 12" Fill Cover Assembly



SECTION A-A

ITEM	PART NUMBER	DESCRIPTION	QTY.
1	5368	WELD RING ASSY (S.S.)	1
2	5383	FILL COVER ASSY (S.S.)	1
3	5381	GASKET RETAINER (S.S.)	1
4	5058	GASKET (BUNA)	1
5	1102	COVER WASHER (S.S.)	1
6	1118	FORMED WASHER (S.S.)	2
7	1105	HEX NUT (S.S.)	2
8	5371	STRONGBACK ASSY (S.S.)	1

ITEM	PART NUMBER	DESCRIPTION	QTY.
9	2090	CLEVIS PIN (S.S.)	2
10	1127	LATCH (S.S.)	1
11	1083	COTTER PIN (S.S.)	2

ALTERNATE SEALING MEDIA

PART NUMBER	DESCRIPTION
5590	GASKET (WHITE NEOPRENE)
1239	GASKET (HIGH TEMP.)



PHONE: (816) 741-6600 • (888) 526-5657 • Fax: (816) 741-1061
 4304 Mattox Road • Kansas City, MO 64150 • www.knappco.com