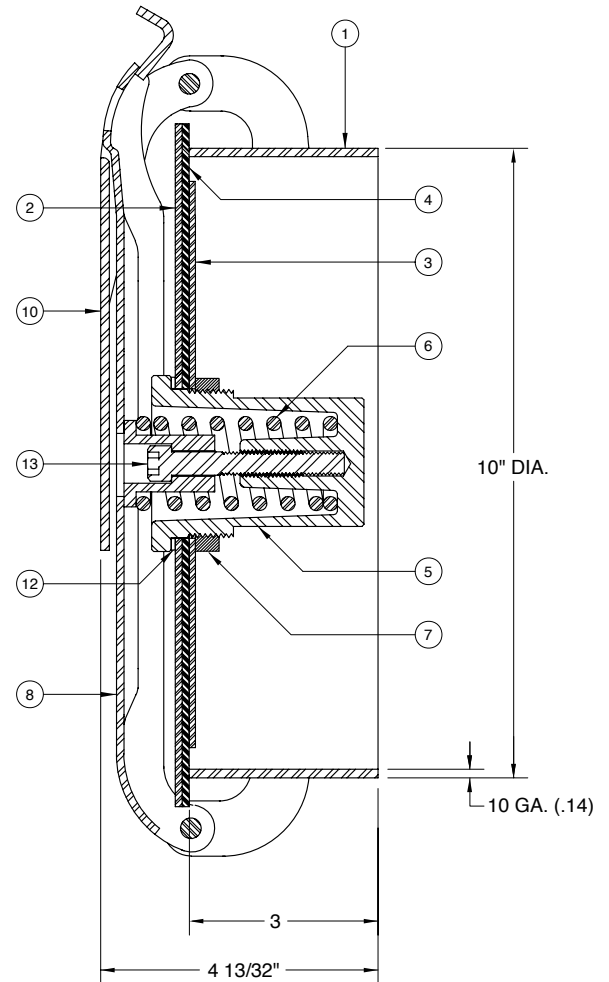
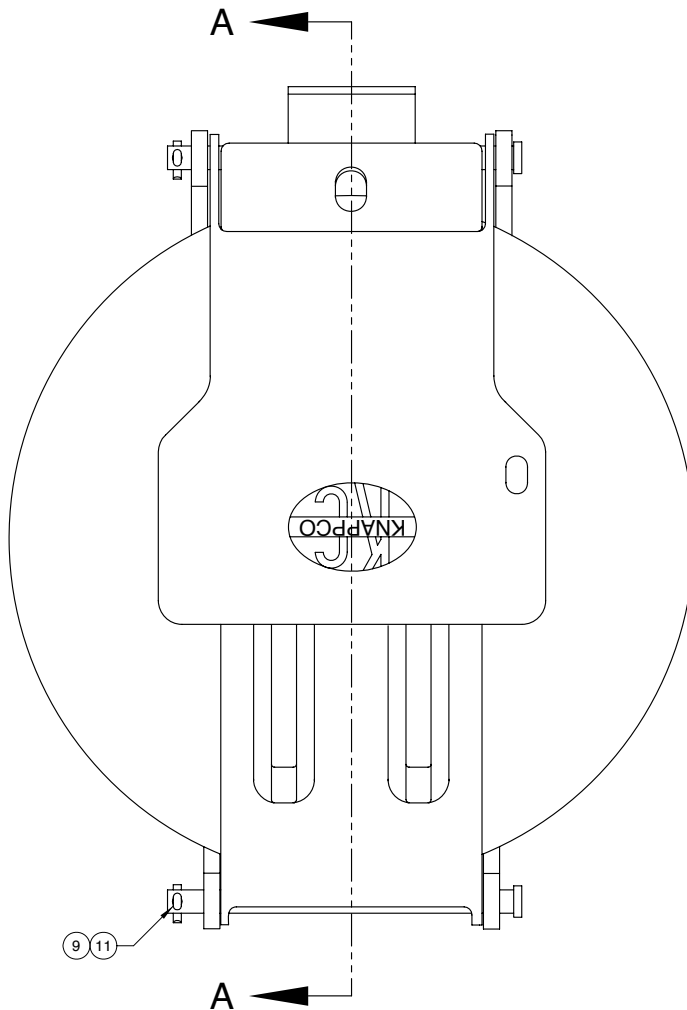




AN **OPW** FLUID TRANSFER GROUP COMPANY

LJ1110 10" Fill Cover Assembly



SECTION A-A

ITEM	PART NUMBER	DESCRIPTION	QTY.
1	3401	WELD RING ASSY (S.S.)	1
2	6255	FILL COVER (S.S.)	1
3	3406	GASKET RETAINER (S.S.)	1
4	3429	GASKET (BUNA)	1
5	4455	SPRINGWELL (S.S.)	1
6	4192	SPRING (PLATED)	1
7	3400	SPRINGWELL NUT (S.S.)	1
8	3405	STRONGBACK ASSY (S.S.)	1
9	2090	CLEVIS PIN (S.S.)	2

ITEM	PART NUMBER	DESCRIPTION	QTY.
10	1127	LATCH (S.S.)	1
11	1083	COTTER PIN (S.S.)	2
12	1199	GASKET (HI-TEMP.)	1
13	4194	CAP SCREW (PLATED)	1

ALTERNATE SEALING MEDIA

PART NUMBER	DESCRIPTION
4949	GASKET (VITON)
3956	GASKET (TEFLON / NEOPRENE)



PHONE: (816) 741-6600 • (888) 526-5657 • Fax: (816) 741-1061
 4304 Mattox Road • Kansas City, MO 64150 • www.knappco.com