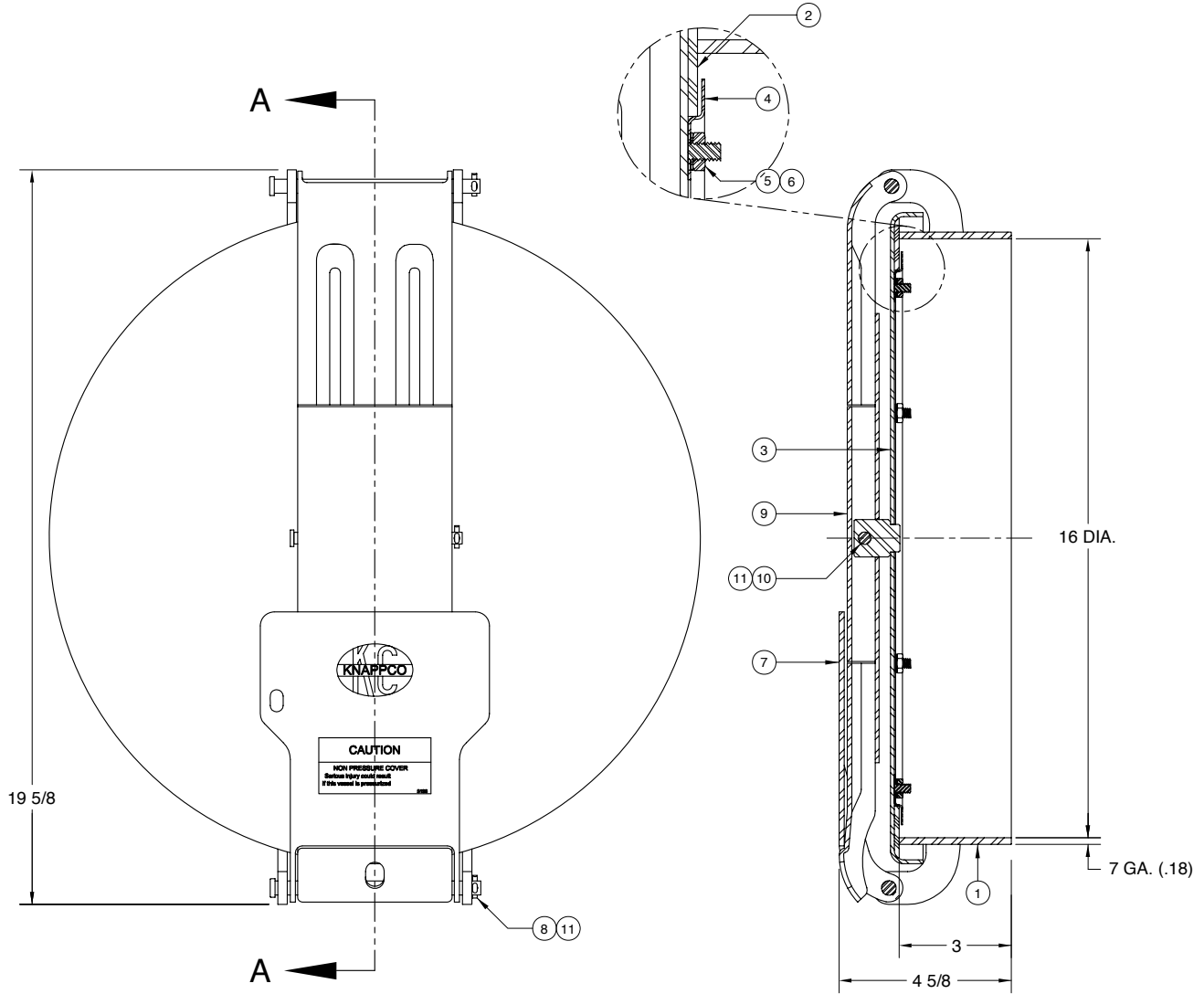




AN **OPW** FLUID TRANSFER GROUP COMPANY

LD1110 16" Manhole Assembly



SECTION A-A

ITEM	PART NUMBER	DESCRIPTION	QTY.
1	3550	WELD RING ASSY (STEEL)	1
2	1294	GASKET (BUNA)	1
3	2359	COVER WELDMENT (STEEL)	1
4	4936	GASKET RETAINER (STEEL)	1
5	1059	HEX NUT (PLATED)	6
6	1036	WASHER (PLATED)	6
7	1125	LATCH (STEEL)	1
8	2106	CLEVIS PIN (PLATED)	2
9	2361	STRONGBACK ASSY. (STEEL)	1

ITEM	PART NUMBER	DESCRIPTION	QTY.
10	2658	CLEVIS PIN (PLATED)	1
11	1045	COTTER PIN (PLATED)	3

ALTERNATE SEALING MEDIA

PART NUMBER	DESCRIPTION
3145	GASKET (WHITE NEOPRENE)
2685	GASKET (HIGH TEMP.)
3889	GASKET (VITON)
2567 / 1294	GASKET (TEFLON ENVELOPE)



PHONE: (816) 741-6600 • (888) 526-5657 • Fax: (816) 741-1061
 4304 Mattox Road • Kansas City, MO 64150 • www.knapppco.com