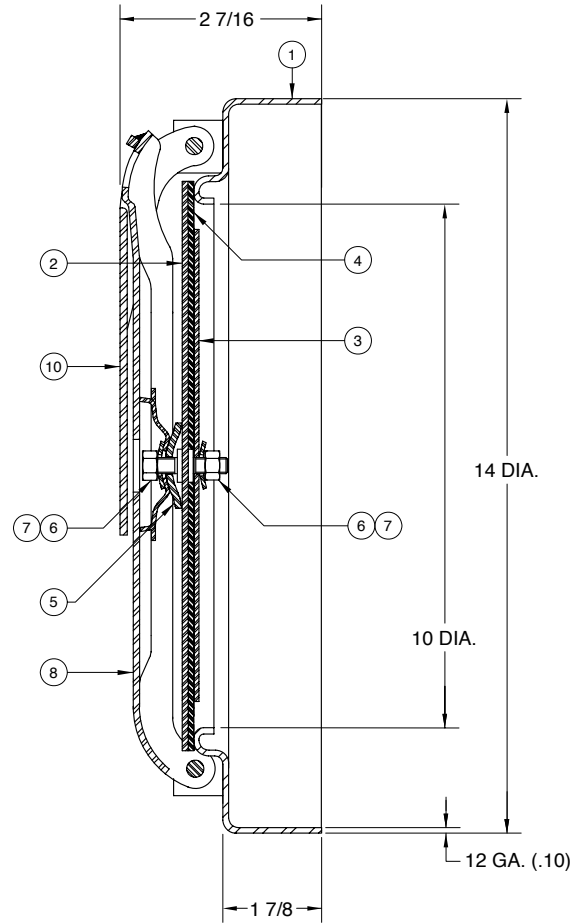
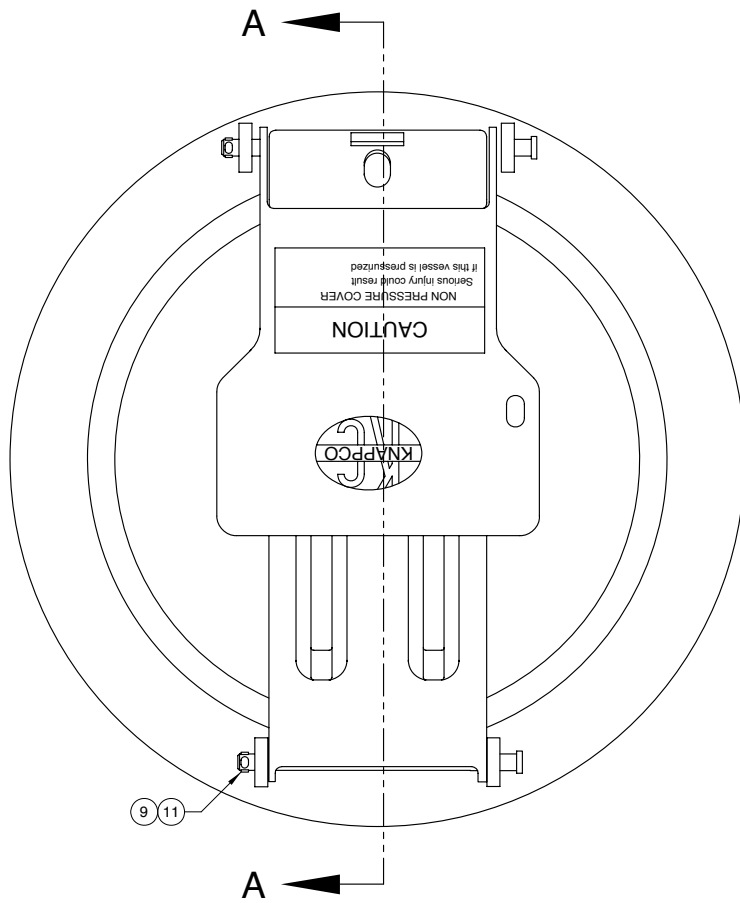




AN OPW[®] FLUID TRANSFER GROUP COMPANY

LC1010 14"/10" Fill Cover Assembly



SECTION A-A

ITEM	PART NUMBER	DESCRIPTION	QTY.
1	1654	COVER ASSY (STEEL)	1
2	1150	FILL COVER ASSY (STEEL)	1
3	1154	GASKET RETAINER (STEEL)	1
4	2561	GASKET (BUNA)	1
5	1101	COVER WASHER (PLATED)	1
6	1117	FORMED WASHER (PLATED)	2

ITEM	PART NUMBER	DESCRIPTION	QTY.
7	1104	HEX NUT	2
8	3377	STRONGBACK ASSY (STEEL)	1
9	2106	CLEVIS PIN (PLATED)	2
10	1125	LATCH (STEEL)	1
11	1045	COTTER PIN (PLATED)	2



PHONE: (816) 741-6600 • (888) 526-5657 • Fax: (816) 741-1061
 4304 Mattox Road • Kansas City, MO 64150 • www.knappco.com