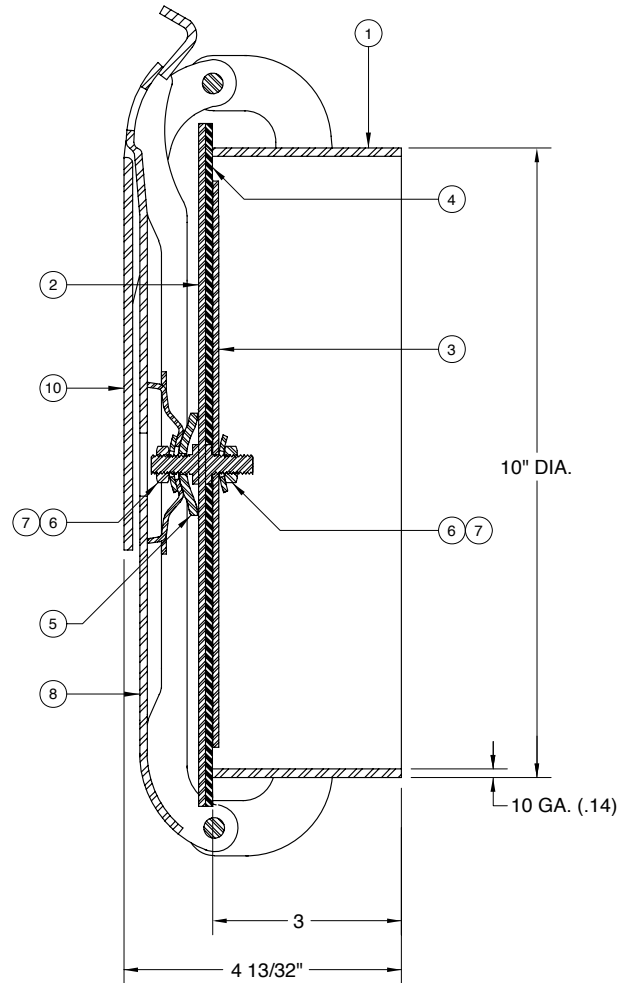
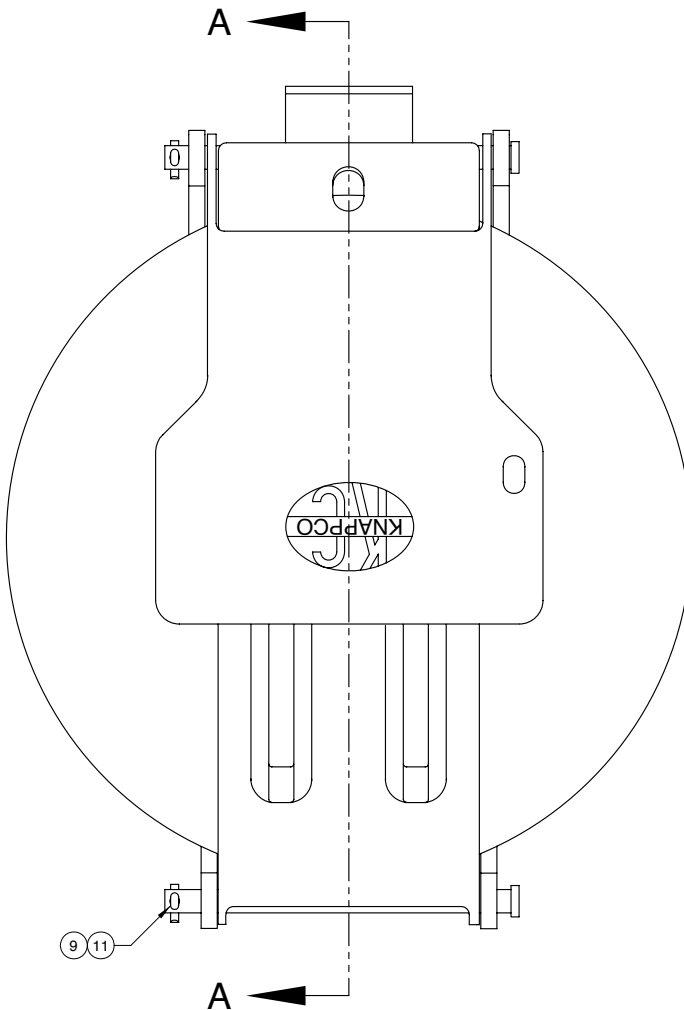




AN OPW® FLUID TRANSFER GROUP COMPANY

LB4310 10" Fill Cover Assembly



SECTION A-A

| ITEM | PART NUMBER | DESCRIPTION | QTY. |
|------|-------------|-----------------------|------|
| 1 | 1649 | WELD RING ASSY (S.S) | 1 |
| 2 | 1152 | FILL COVER ASSY (S.S) | 1 |
| 3 | 1156 | GASKET RETAINER (S.S) | 1 |
| 4 | 2561 | GASKET (BUNA) | 1 |
| 5 | 1102 | COVER WASHER (S.S) | 1 |
| 6 | 1118 | FORMED WASHER (S.S) | 2 |
| 7 | 1105 | HEX NUT (S.S.) | 2 |
| 8 | 3379 | STRONGBACK ASSY (S.S) | 1 |
| 9 | 2090 | CLEVIS PIN (S.S) | 2 |

| ITEM | PART NUMBER | DESCRIPTION | QTY. |
|------|-------------|------------------|------|
| 10 | 1127 | LATCH (S.S) | 1 |
| 11 | 1083 | COTTER PIN (S.S) | 2 |

ALTERNATE SEALING MEDIA

| PART NUMBER | DESCRIPTION |
|-------------|--------------------------|
| 3357 | GASKET (WHITE NEOPRENE) |
| 2575 | GASKET (HIGH TEMP.) |
| 2181 | GASKET (VITON) |
| 2552 | GASKET (TEFLON ENVELOPE) |



PHONE: (816) 741-6600 • (888) 526-5657 • Fax: (816) 741-1061
 4304 Mattox Road • Kansas City, MO 64150 • www.knappco.com