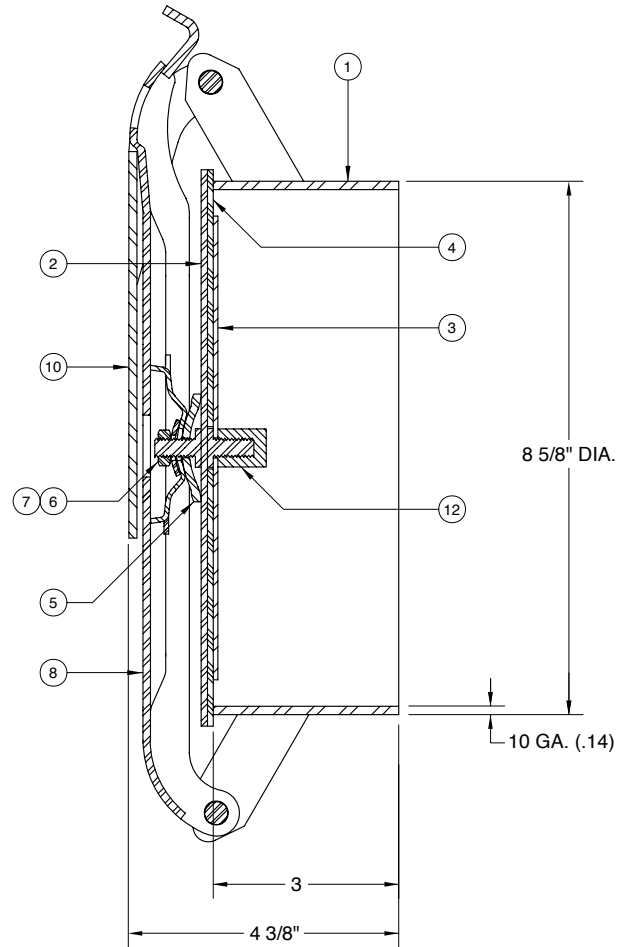
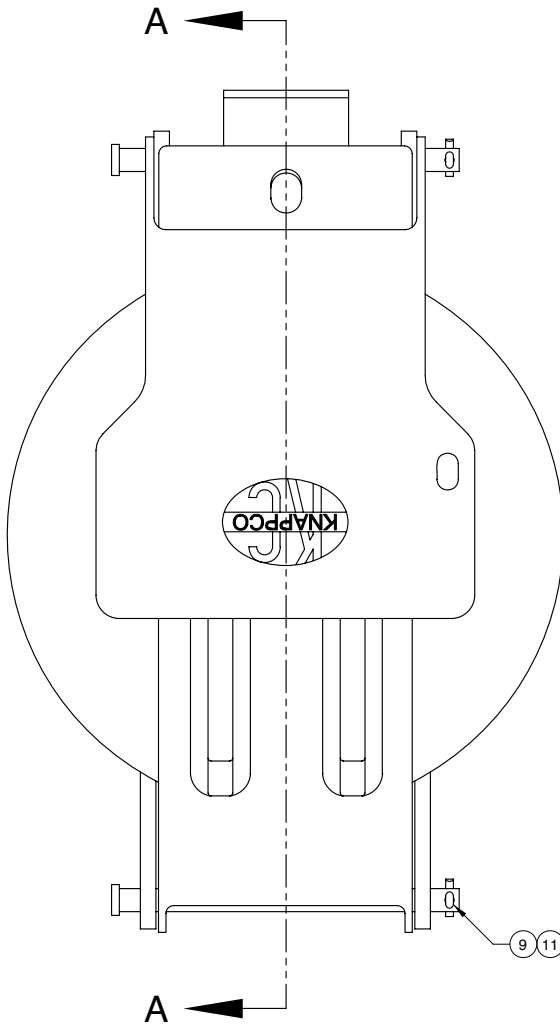




AN OPW® FLUID TRANSFER GROUP COMPANY

LA2210 8" Fill Cover Assembly



SECTION A-A

ITEM	PART NUMBER	DESCRIPTION	QTY.
1	3895	WELD RING ASSY (S.S.)	1
2	3888	FILL COVER ASSY (PLATED)	1
3	3887	GASKET RETAINER (S.S.)	1
4	1641	GASKET (BUNA)	1
5	1101	COVER WASHER (PLATED)	1
6	1117	FORMED WASHER (PLATED)	1
7	1104	HEX NUT	1
8	3378	STRONGBACK ASSY (PLATED)	1
9	2106	CLEVIS PIN (PLATED)	2
10	1126	LATCH (PLATED)	1

ITEM	PART NUMBER	DESCRIPTION	QTY.
11	1045	COTTER PIN (PLATED)	2
12	4988	HEX CAP SCREW (S.S.)	1

ALTERNATE SEALING MEDIA

PART NUMBER	DESCRIPTION
4739	GASKET (WHITE NEOPRENE)
2568	GASKET (HIGH TEMP.)
5080	GASKET (VITON)
2678	GASKET (TEFLON ENVELOPE)



PHONE: (816) 741-6600 • (888) 526-5657 • Fax: (816) 741-1061
 4304 Mattox Road • Kansas City, MO 64150 • www.knapcco.com