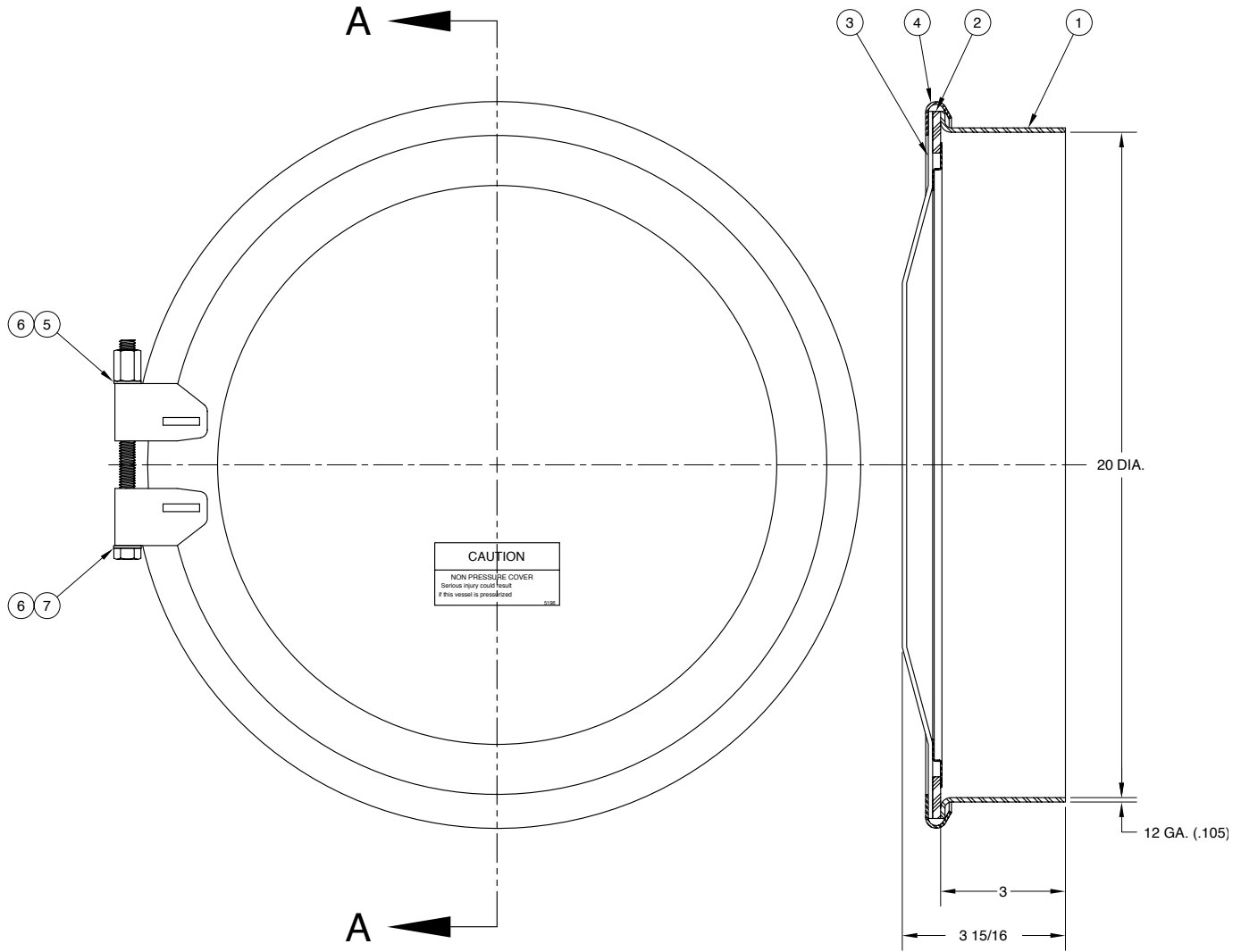




AN OPW<sup>®</sup> FLUID TRANSFER GROUP COMPANY

# KG3310 20" Manhole Assembly



## SECTION A-A

ITEM	PART NUMBER	DESCRIPTION	QTY.
1	1188	WELD RING (S.S.)	1
2	1181	GASKET (BUNA)	1
3	1280	COVER WELDMENT (S.S.)	1
4	3821	CLAMP RING ASSY. (S.S.)	1
5	1115	HEX NUT (S.S.)	1
6	1113	WASHER (S.S.)	2

ITEM	PART NUMBER	DESCRIPTION	QTY.
7	1111	HEX CAP SCREW (S.S.)	1

### ALTERNATE SEALING MEDIA

PART NUMBER	DESCRIPTION
4128	GASKET (WHITE NEOPRENE)
2570	GASKET (HIGH TEMP.)



PHONE: (816) 741-6600 • (888) 526-5657 • Fax: (816) 741-1061  
 4304 Mattox Road • Kansas City, MO 64150 • [www.knapppco.com](http://www.knapppco.com)