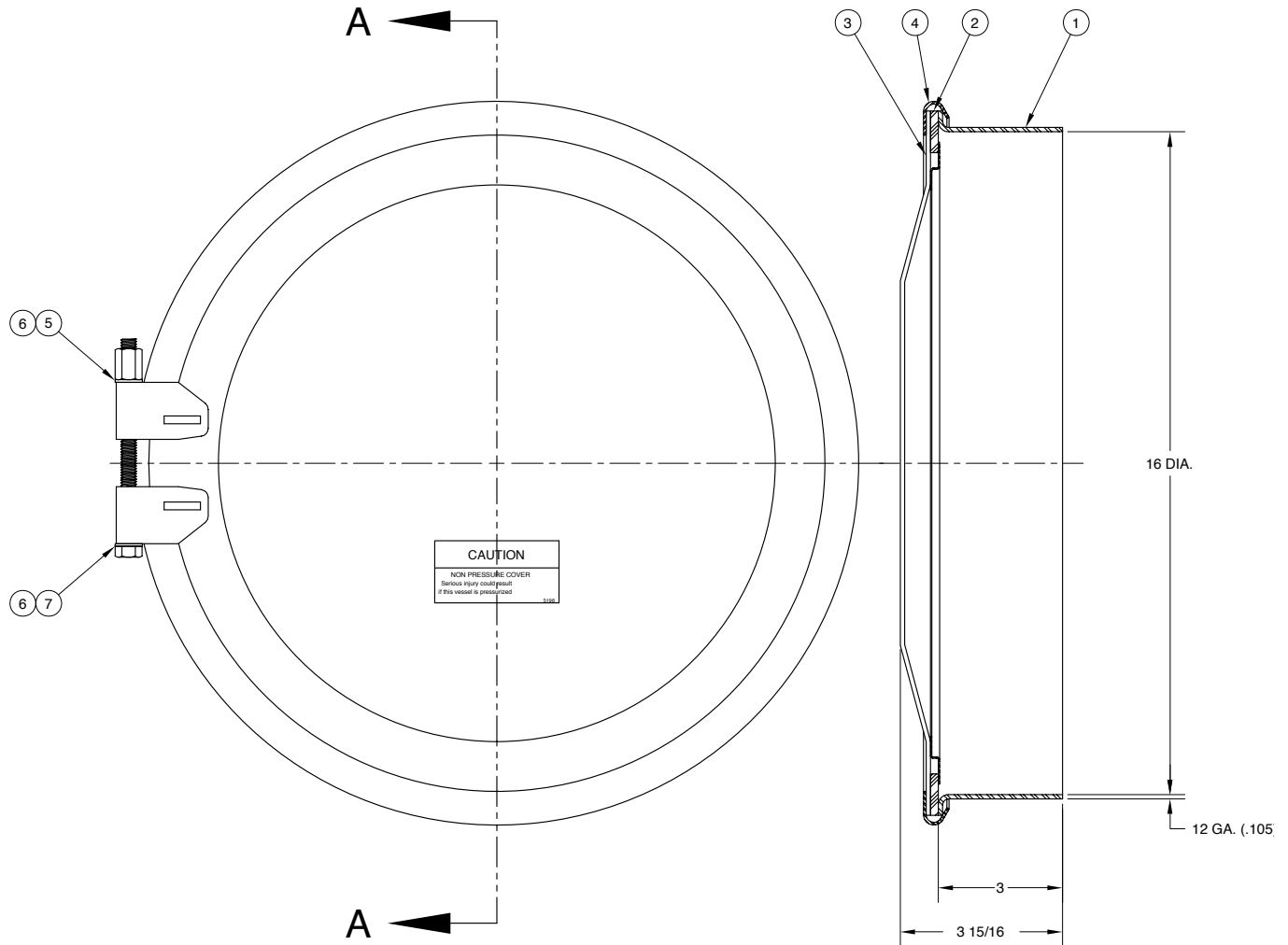




AN OPW[®] FLUID TRANSFER GROUP COMPANY

KF4310 16" Manhole Assembly



SECTION A-A

ITEM	PART NUMBER	DESCRIPTION	QTY.
1	1091	WELD RING (S.S.)	1
2	1106	GASKET (BUNA)	1
3	1270	COVER WELDMENT (S.S.)	1
4	1109	CLAMP RING ASSY. (S.S.)	1
5	1115	HEX NUT (S.S.)	1
6	1113	WASHER (S.S.)	2
7	1111	HEX CAP SCREW (S.S.)	1

ALTERNATE SEALING MEDIA

PART NUMBER	DESCRIPTION
2558	GASKET (WHITE NEOPRENE)
1377	GASKET (HIGH TEMP.)
4686	GASKET (SILICONE)
4821	GASKET (TEFLON ENVELOPE)
4612	GASKET (EPDM)



PHONE: (816) 741-6600 • (888) 526-5657 • Fax: (816) 741-1061
 4304 Mattox Road • Kansas City, MO 64150 • www.knappco.com