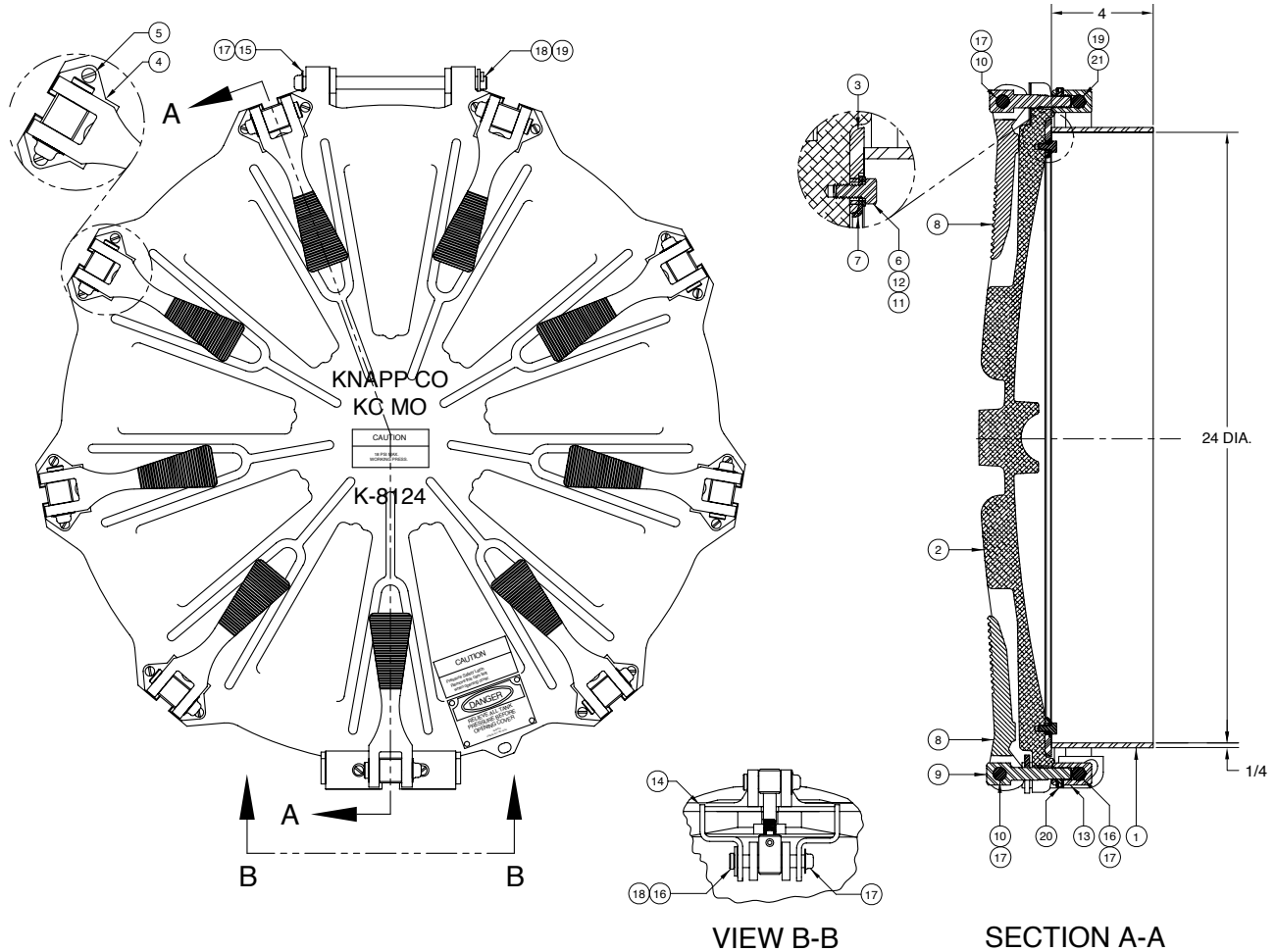




AN OPW[®] FLUID TRANSFER GROUP COMPANY

KZ1110 24" Manhole Assembly



ITEM	PART NUMBER	DESCRIPTION	QTY.
1	1600	WELD RING ASSY (STEEL)	1
2	1605	COVER (ALUM.) ¹	1
3	1358	GASKET (BUNA) ¹	1
4	2592	WEAR PLATE (S.S.) ¹	8
5	1375	SCREW (S.S.) ¹	18
6	1606	GASKET SPACER (PLATED) ¹	9
7	1607	GASKET RETAINER (ALUM.) ¹	1
8	1407	CAM LEVER (PLATED) ²	9
9	3950	STUD (PLATED) ²	9
10	3952	CLEVIS PIN (PLATED) ²	8
11	1446	HEX HEAD SCREW (PLATED) ¹	9
12	1036	LOCK WASHER (PLATED) ¹	9
13	3951	CONNECTOR (PLATED) ²	9
14	1420	SAFETY CATCH (PLATED)	1
15	1590	HINGE PIN (PLATED)	1

ITEM	PART NUMBER	DESCRIPTION	QTY.
16	1418	CLEVIS PIN (PLATED)	1
17	1020	PAL NUT (PLATED) ²	10
18	1043	WASHER (PLATED)	2
19	1045	COTTER PIN (PLATED) ²	10
20	1416	SET SCREW (PLATED) ²	9
21	5677	CLEVIS PIN (PLATED) ²	9

ALTERNATE SEALING MEDIA / CAM ASSEMBLIES

PART NUMBER	DESCRIPTION
4165	GASKET (WHITE NEOPRENE)
3643	GASKET (VITON)
2190	GASKET (SILICONE)
1827	CAM ASSEMBLY KIT (PLATED)
1598	COVER ASSY. (ALUM. / PLD / BUNA)

1 - Included in 1598 - 2 - Included in 1827



PHONE: (816) 741-6600 • (888) 526-5657 • Fax: (816) 741-1061
4304 Mattox Road • Kansas City, MO 64150 • www.knappco.com