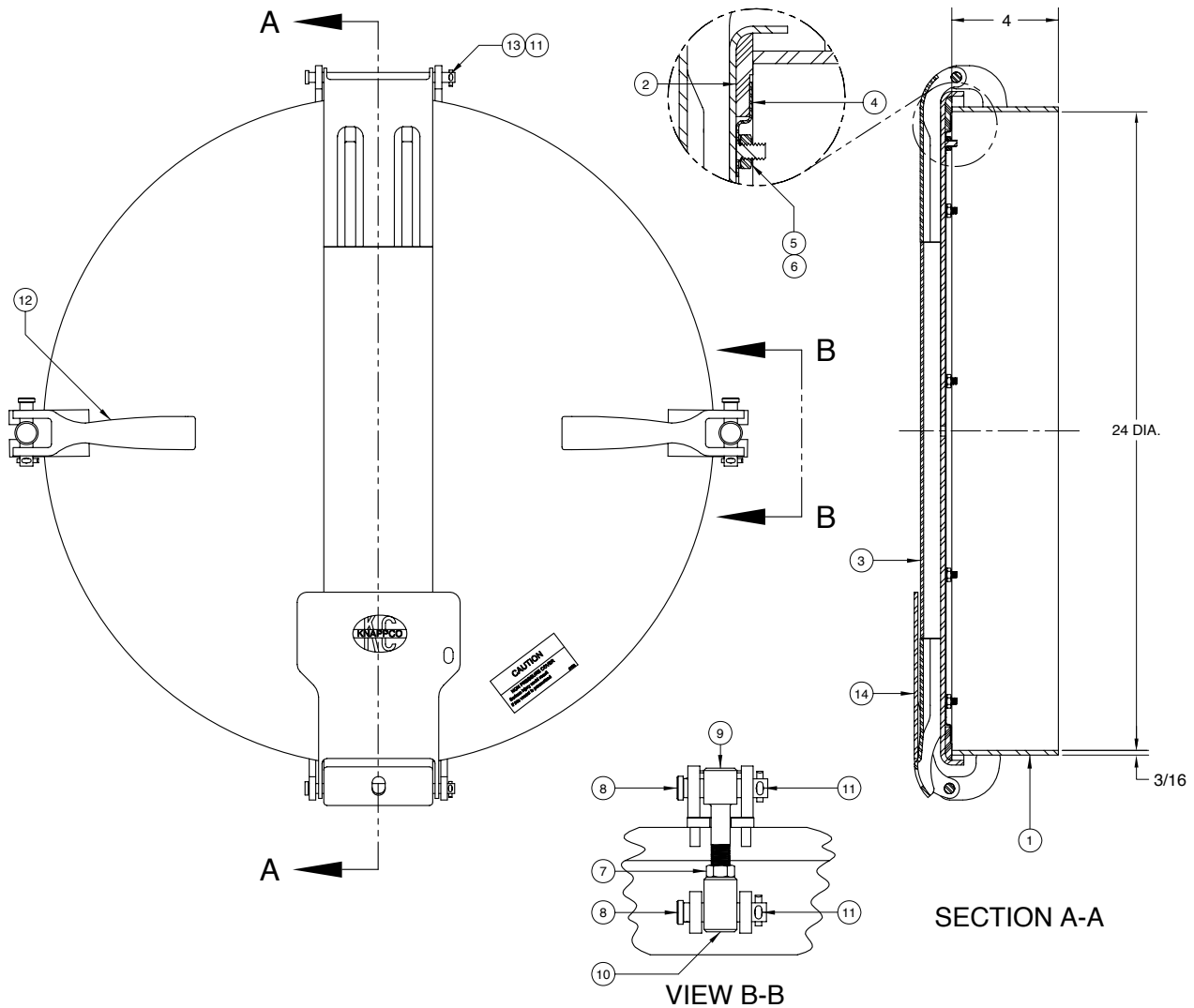




AN OPW[®] FLUID TRANSFER GROUP COMPANY

KN2210 24" Manhole Assembly



ITEM	PART NUMBER	DESCRIPTION	QTY.
1	1362	WELD RING ASSY (S.S.)	1
2	1358	GASKET (BUNA)	1
3	1360	COVER WELDMENT (S.S.)	1
4	2801	GASKET RETAINER (S.S.)	1
5	1088	HEX NUT (S.S.)	6
6	1330	WASHER (S.S.)	6
7	1082	JAM NUT (S.S.) ¹	2
8	1438	CLEVIS PIN (S.S.) ¹	4
9	1077	STUD (S.S.) ¹	2
10	1078	CONNECTOR (S.S.) ¹	2
11	1083	COTTER PIN (S.S.)	6

ITEM	PART NUMBER	DESCRIPTION	QTY.
12	1079	CAM LEVER (S.S.) ¹	2
13	2090	CLEVIS PIN (S.S.)	2
14	1127	LATCH (S.S.)	1

ALTERNATE SEALING MEDIA

PART NUMBER	DESCRIPTION
4165	GASKET (WHITE NEOPRENE)
3643	GASKET (VITON)
2571	GASKET (HIGH TEMP.)
1838	CAM LEVER ASSY. (S.S.)
1837	CAM LEVER ASSEMBLY (PLATED)



PHONE: (816) 741-6600 • (888) 526-5657 • Fax: (816) 741-1061
 4304 Mattox Road • Kansas City, MO 64150 • www.knapppco.com